

AT A GLANCE

FEATURES

- Patented No FeedBack Steering mechanism
- Comfortable 4.2 turns from lock-to-lock
- Standard 3/4" tapered steering shaft
- Stainless steel cable output ends
- Available either as separate components or as a complete system ready to install
- Uses Teleflex Quick Connect (QC) steering cables
- Tilt option available



NFB 4.2 PREMIUM MECHANICAL ROTARY STEERING FOR OUTBOARDS

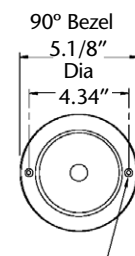
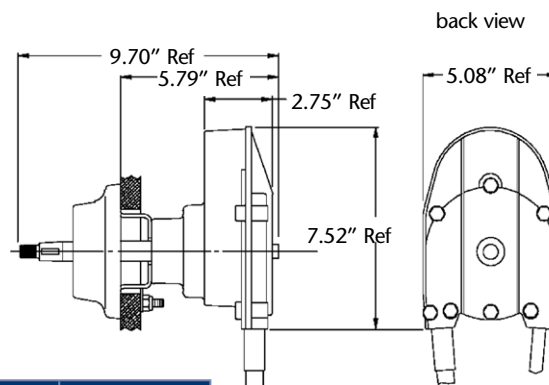
TECHNICAL DATA

Delivering unsurpassed comfort and safety from a mechanical steering system the NFB 4.2 suits outboard power boats up to V6. Replaces standard Safe-T® steering without dash modifications.



Tilt option available

System options
4.2 NFB single helm
& cable
(SH 4910) top view



10 x 1" self tapping screw

ORDER INFORMATION	PART NO
NFB 4.2 Steering Kit (Single cable)	SS147XX
COMPONENTS	
NFB 4.2 Helm	SH4910
QC Cable	SSC92XX
Rotary NFB Bezel (90°)	SB27150
OPTIONS	
NFB 4.2 Single Tilt Helm	SH91526*
Bezel (20°)	SB27483
Cable guard (fits most tilt tubes) (Dual cable systems also available (details available on request)	SA39329

* Needs SH91500 for tilt system.

