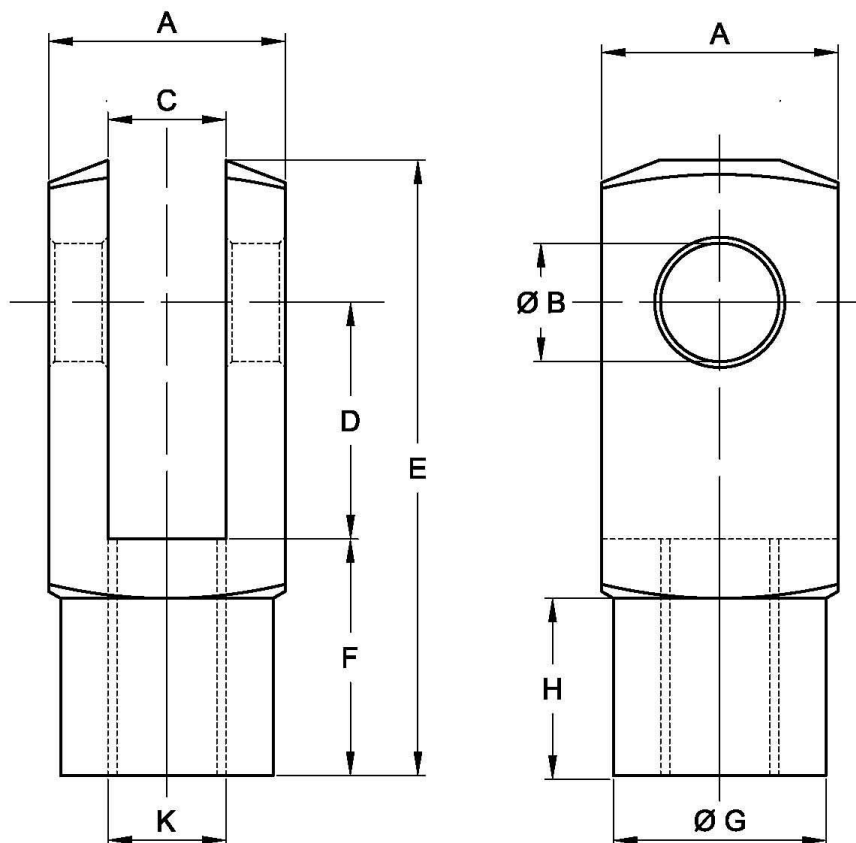




HINDLE CONTROLS

Part No	Thread K	ISO Pitch		A	Ø B	Width C	D	E	F	Ø G	Weight per 100 in Kgs
		Coarse	Fine		0.1	Nominal					
					0						
HMC4	M4	0.7		8	4	4	8	21	8	6	0.3
HMCL4							16	29			0.7
HMC5	M5	0.8		10	5	5	10	26	9	7.5	0.9
HMCL5							20	36			1.3
HMC6	M6	1		12	6	6	12	31	10	9	1.4
HMCL6							24	43			2.1
HMC8	M8	1.25		16	8	8	16	42	14	12	3.6
HMCL8							32	58			5.2
HMC10	M10	1.5	1.25	20	10	10	20	52	18	15	7.3
HMCL10							40	72			10
HMC12	M12	1.75	1.25	24	12	12	24	62	20	18	11.5
HMCL12							48	86			16.6
HMC14	M14	2	1.5	27	14	14	28	72	24	23	17
HMCL14							57	101			24.8
HMC16	M16	2	1.5	32	16	16	32	83	26	24	26.6
HMCL16							64	115			38.9
HMC18	M18	2.5	1.5	36	18	18	36	94	30	27	39
HMC20	M20	2.5	1.5	40	20	20	40	105	34	30	55.3
HCM25	M25	3	2	50	25	25	50	132	0	36	111



Hindle Controls, Caledonia Street, Bradford, West Yorkshire, BD5 0EL

Tel: 01274 727234

Mail: controls@hindle.co.uk