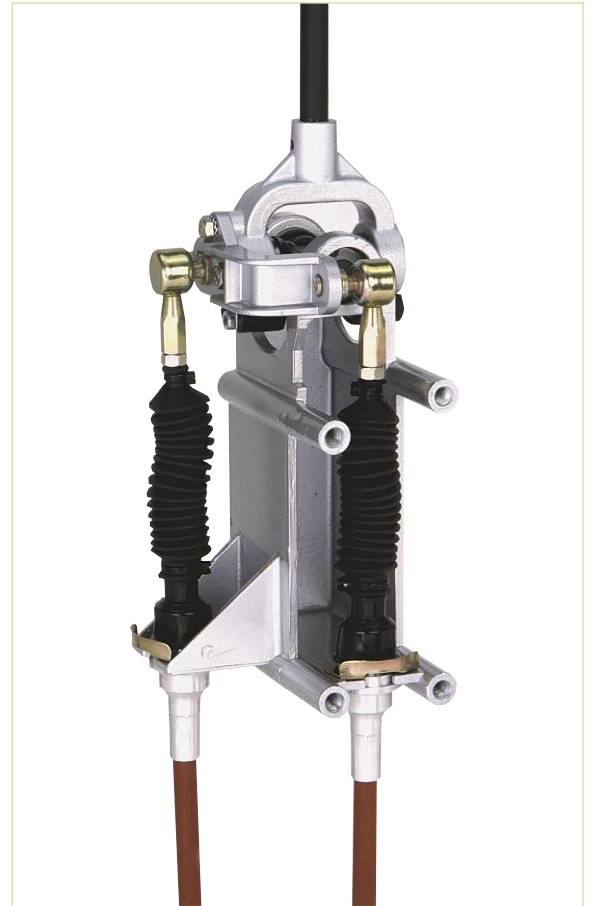
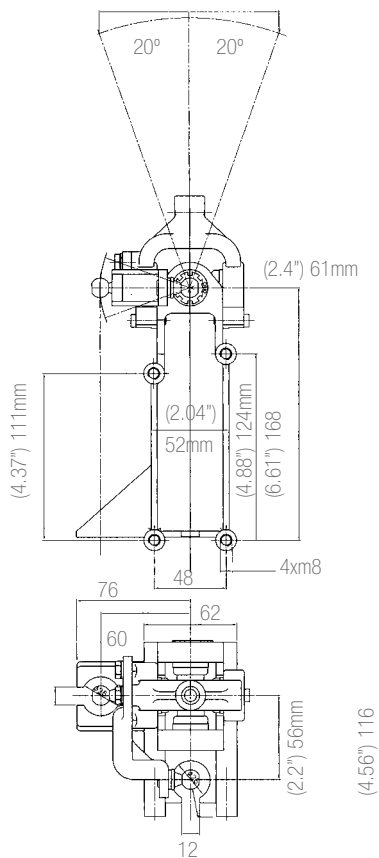




The MK6 remote manual shifter (RMS) is a compact, low profile unit that can be dash mounted to provide an efficient shift control for manual transmissions in a variety of vehicle types. The vertical cable outlets have the added advantage of facilitating fascia or steering column mounting, which helps provide for a clear walk-through cab. When used with the servo translator, the MK6 is particularly well suited to the heavier gearboxes and longer cable runs found on rear engine coaches.



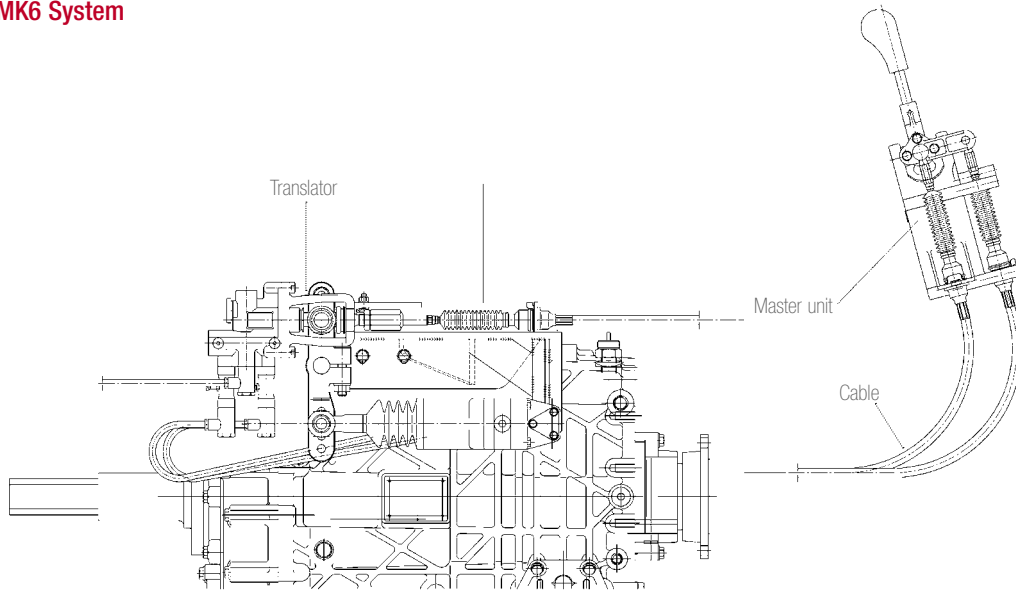
### Key features

- **Ease of Shifting** – When the optional pneumatic servo unit is employed, the shift load for the system can be reduced by up to 40%
- **Performance** – The unit provides positive, reliable gearshifts under all conditions. By design, the potential for gear jump-out due to cab movement is eliminated.
- **Flexibility** – The MK6 master unit has few restraints on mounting positions and a low mounting profile, providing more options for cab design.
- **Reduced maintenance** – the shifter is a totally sealed system with no re-lubrication requirements.





**MK6 System**



The MK6 System is composed of three main components. As shown in the diagram left, these are a master unit with a gear lever in the cab, gear shifter cable(s), and a translator assembly to suit the gearbox.

**Master Unit Part Numbers**

Part Description	Part Number
Master Unit (hand lever)	231106
Master Unit with Centering Select Spring	231749

**Cable Part Numbers**

Part Description	Part Number
Standard Shift Cable	231713
Standard Select Cable	231713
Heavy Duty Combined Shift-Select Cable	231813

**Translator Part Numbers**

Part Description	Part Number
<b>One Cable Per Function Systems</b>	
Standard Universal Translator Permits both cables to run parallel to each other along chassis	209509
<b>Servo Assisted Systems</b>	
Servo Translator Basic Kit	209500
Servo Translator (valve, cylinder, adaptor)	209402
Translator Kit (shift lever with bush for use of cylindrical cable Ball joint kit 234581)	209505
<b>Shared Load Systems</b>	
ZF standard over shaft type, 50 & 70mm. cable radius	210969
ZF inverted, 70mm. cable radius, left hand	210787
ZF inverted, 70mm. cable radius, right hand	210788
Eaton standard top mount unit, right hand	210138
Eaton standard top mount unit, left hand	208840
Eaton reverse entry	207468
Eaton gearbox type spring bias, right hand	212031
Eaton gearbox type spring bias, left hand	212639
Eaton T600 gearbox	212347
Eaton 4106 gearbox	212245

**Accessories**

Part Description	Part Number
Rigid Cable Mounting	207417
Noise and Vibration Absorption Mounting	207420
Cable protection cover (Eaton & Fuller translators)	207250
Ball joint kit – for use when making own tie bars	207467

Hindle Control  
 Caledonia Street  
 Bradford  
 West Yorkshire  
 BD5 0EL  
 Tel: 01274 727234  
 Fax: 01274 738950  
 Mail: controls@hindle.co.uk  
 Web: www.controlsandcables.com