

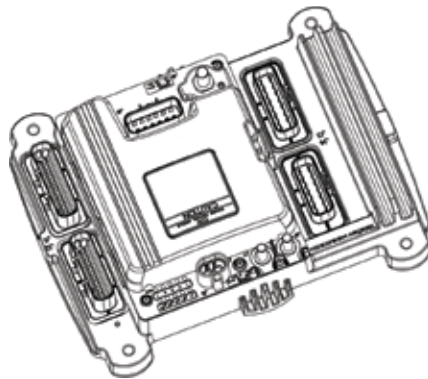


INTELLIGENT SOLUTIONS

MULTIPLEX CONTROL MODULE H-BRIDGE

Megalink™ is the perfect platform with which to empower electronics with flexibility and control. The MCM-HB provides engineers with flexibility and freedom to design electronic control systems for transportation and vehicular applications. The unique enclosure of the MCM-HB combines a fuse and relay center that knows and reports the status of all fuses and relays, numerous solid state inputs and outputs, h-bridge outputs and multiple standard communication data buses. Its rugged design can withstand extreme off-road environments.

The MCM-HB, with its J1939 and J1850 data buses, offers easy integration into most third party ABS, engine controllers, transmission controllers, clusters and displays. The MCM-HB can also be combined with any other Megalink™ product (keypad, H-bridge module, digital rocker switch, display) to create a full scale front-end-cap-to-rear-end multiplex control system for virtually any type of on-road and off-road vehicle.



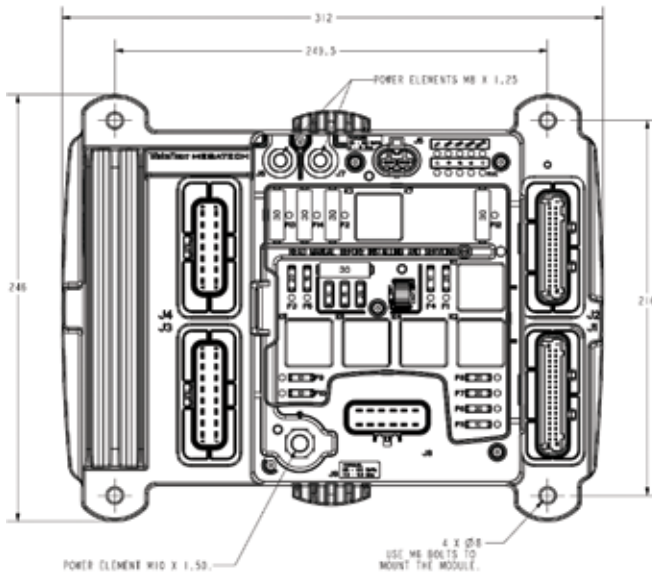
AT A GLANCE

- Rugged multiplex control module for 12VDC vehicular applications
- Combination of solid state outputs plus fuses and relays
- J1939 and J1850 data buses to communicate with power train modules like engine, ABS, transmission and cluster.
- Second dedicated CAN bus (J1939 or RVC) to communicate with other MEGALINK modules
- LIN data bus to communicate with MEGALINK serial rocker switches
- VIP steering wheel keypad interface
- Low side and high side digital inputs
- Analog inputs
- Frequency inputs
- 2A solid state outputs
- 15 to 40A relay outputs
- 5 to 30A fused outputs
- 10A H-bridge outputs@ 85°C

Europe: Christopher Martin Road, Basildon, Essex SS14 3ES, UK
North America: 640 North Lewis Road Limerick, PA 19468 USA
Electronics: 90 - 28^e Rue Grand-Mère (Québec) G9T 5Z8 Canada
www.kongsbergautomotive.com

Tel: +44 (0) 1268 522 861
Tel: +1 610 495 7011
Tel: +1 819 533 3201
email: info.pps@ka-group.com

PRODUCT SPECIFICATIONS



PARAMETER	SPECIFICATIONS
Operating voltage	9 to 16 VDC (5 to 16 VDC for engine crank inputs)
Operating temperatures	-40°C to 85°C
Maximum current	125A continuous @ 85°C
Standby current	< 4mA
Immunity to radiated interferences	100 V/m
Electrical protections	Load dump, jump start, reverse polarity, ESD
Water resistance	IP67, 1 meter under water (Logic section only)
Diagnosics	Blown fuse, defective relay, overload and open circuits. Diagnostic events stored in EEPROM Field flashable Windows™ based diagnostic software via CAN (CADET)
Connectors	Delphi Metripack GT280, 12, 14 and 16 pins Delphi Metripack GT480, 2 pins Delphi Micropack 100, 32 and 36 pins 2 M8 fused output studs 1 M10 battery connection stud

APPLICATIONS:

- Battery power distribution and control
- Motor control (sun visor, slide, step cover, power windows, door lock etc.)
- Exterior vehicle lighting (head lamps, fog lamps, markers, turn lamps etc.)
- Interior vehicle lighting with dimming capabilities (dome lamps, backlighting)
- Wiper/wash motor control including reading of wiper switches
- Horn control
- Liquid level reading and reporting (fuel, wash fluid, etc.)
- Air system control (pressure reading and reporting, air dump, air drying)
- Adjustable pedal control
- A/C system clutch control and pressure monitoring
- Engine starter control

INPUTS/OUTPUTS:

- 12 switch to battery digital inputs
- 20 switch to ground digital inputs
- 6 analog inputs
- 12 high side 2A solid state outputs
- 1 low side 2A solid state output
- 11 h-bridge 10A solid state outputs
- 3 fused outputs 30A
- 3 fused outputs 20A
- 3 fused outputs 10A
- 1 relay output 40A
- 1 relay output 25A
- 2 relay outputs 15A
- 2 CAN buses
- 1 J1850 (VPWM) bus
- 1 LIN bus