

CH5600 Top mount controls

Technical Data



CH5600 controls

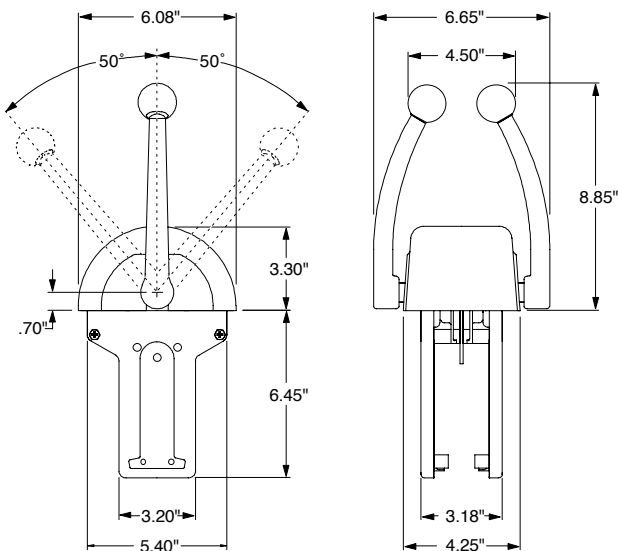
For single or dual stations with single or twin engines.

Using a patented self locking throttle clutch (SLT), the CH5600 control automatically stops throttle creep.

Suits 33c type cables

Key Features

- Stylish top mount control
- Single action design (one lever for throttle one for shift)
- CH5600 patented SLT technology prevents throttle creep
- Superior twin station performance
- Polished stainless steel levers and cover
- Positive detents for shift
- Push or pull to operate throttle and/or shift
- Includes hardware for two 33C type cables
- Optional neutral safety switch



Order information	Part No.
CH5600 SLT top mount control	CH5600P

Accessories and parts	Part number
Optional neutral safety switch	CA69009P
Cable attachment kit (3300/dual sta)	CA69022P
3300 heavy duty brass pivot kit	CA27563P
Replacement red knob	4009912
Replacement black knob	4009819
Stainless steel throttle knob (grooved)	CA69052P**
Stainless steel shift knob (smooth)	CA69051P**
CH5600 mounting hardware kit	CA69013P
Replacement stainless steel lever	CA69060P

contact us for more details:

8.15 - 16.30 (mon-fri)

Tel: +44 (0)1202 885212

Fax: +44 (0)1202 885214

e-mail: intmarine@teleflex.com

Teleflex Marine International Sales & Marketing

Gaunts Business Centre,

Gaunts Common,

Wimborne,

Dorset BH21 4JT

England

ISSUE DATE - May 03

Teleflex
MARINE