

# CH2800/2850 Side mount controls

## Technical Data



## CH2800/2850 Side mount controls

CH2800 Features unique twistgrip switch for control of Bow thruster or windlass.

Designed for steering pedestal or cockpit well mounting.

Polished stainless steel lever.

Dual action design.

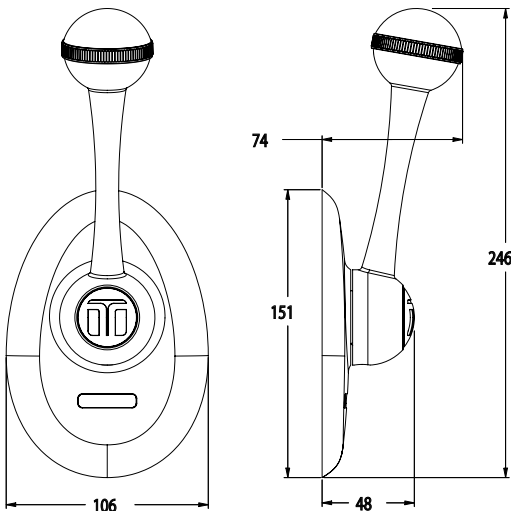
Suits 33c type cables.

### Key Features

- Stainless Steel lever / Composite knob
- Momentary switch for control through a relay of:  
Bow Thruster or Windlass
- Suitable for power or sail
- Can be mounted with or without cover plate
- Standard control suits 33C type cables

### Order information

<b>Side mount control (with switch)</b>	CH2800
<b>Side mount control (without Switch)</b>	CH2850
<b>Optional neutral safety switch</b>	178000



shown without cover plate

contact us for more details:

8.15 - 16.30 (mon-fri)

Tel: +44 (0)1202 885212

Fax: +44 (0)1202 885214

e-mail: [intmarine@teleflex.com](mailto:intmarine@teleflex.com)

Teleflex Marine International Sales & Marketing

Gaunts Business Centre,

Gaunts Common,

Wimborne,

Dorset BH21 4JT

England